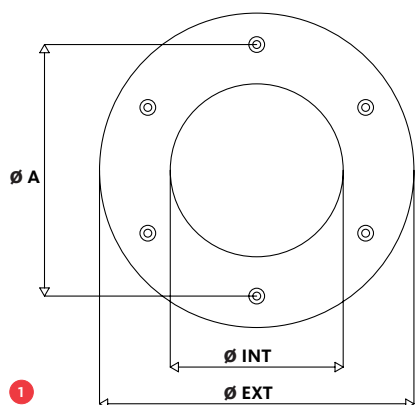


## DISCOS AUTOMOCIÓN TALADRADOS DRILLED CLUTCH FACINGS

### > 6 Avellanados

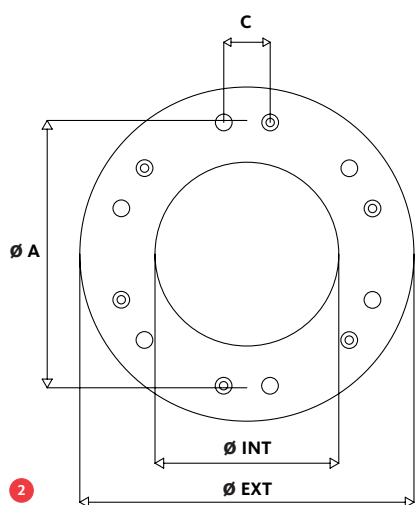


Referencia	Ø Ext	Ø Int	Espesor	Ø A	Detalle
F 18102 12 * 1	181.0	124.0	3,50	152.00	2C
F 18132 10 *	181.0	127.0	3,50	152.00	1

\* 1 Segun tabla de materiales

\* 1 According to material spec. table

### > 6 Avellanados / 6 Pasantes



Referencia	Ø Ext	Ø Int	Espesor	Ø A	C	Detalle
F 15503 11 *	155.0	114.0	3.20	134.00	23,27	1
F 16001 13 *	160.0	110.0	3.00	134.00	23,27	1
F 16005 23 *	160.0	110.0	3.20	134.00	23,27	1
F 16013 11 *	160.0	112.0	3.00	134.00	23,27	1
F 16003 10 *	160.0	112.0	3.20	134.00	23,27	1C
F 16018 10 *	160.0	112.0	3.40	134.00	23,27	1C
F 17000 10 *	170.0	120.0	3.00	142.50	24,74	1C
F 17000 11 *	170.0	120.0	3.00	142.50	24,74	1
F 17006 10 *	170.0	120.0	3.20	142.50	24,74	1
F 18011 10 *	180.0	127.0	3.20	152.00	26,39	1C
F 18005 13 *	180.0	133.0	3.00	152.00	26,39	1C
F 18101 10 *	181.0	124.0	3.20	152.00	26,39	1
F 18114 10 *	181.0	127.0	3.00	152.00	26,39	1
F 18103 10 *	181.0	127.0	3.20	152.00	26,39	1C
F 18103 11 *	181.0	127.0	3.20	152.00	26,39	1
F 19008 14 *	190.0	127.0	3.20	165.00	28,65	1
F 19000 11 *	190.0	130.0	3.00	165.00	28,65	1
F 19026 15 *	190.0	134.0	3.00	165.00	28,65	1C
F 19027 13 *	190.0	134.0	3.20	165.00	28,65	1
F 19006 27 *	190.0	134.0	3.50	165.00	28,65	1
F 19115 10 *	190.0	135.0	2.75	152.00	26,39	1
F 19004 12 *	190.0	136.0	3.20	165.00	28,65	1
F 19007 14 *	190.0	136.0	3.50	165.00	28,65	1
F 20007 10 *	200.0	130.0	3.20	165.00	28,65	1
F 20003 11 *	200.0	137.0	3.20	165.00	28,65	1
F 20003 17 *	200.0	137.0	3.20	165.00	28,65	1C
F 20017 11 *	200.0	137.0	3.35	165.00	28,65	1
F 20002 12 *	200.0	137.0	3.50	165.00	28,65	1
F 21010 11 *	210.0	145.0	3.30	180.10	32,82	1
F 21209 10 *	212.0	140.0	3.40	179.90	33,00	1

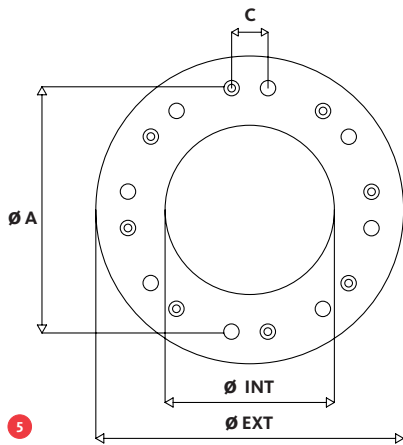
<b>&gt; 6 Avellanados / 6 Pasantes</b>		<b>Referencia</b>	<b>Ø Ext</b>	<b>Ø Int</b>	<b>Espesor</b>	<b>Ø A</b>	<b>C</b>	<b>Detalle</b>
		F 16001 17 *	160.0	110.0	3.00	135.00	28,19	1
		F 16005 16 *	160.0	110.0	3.20	135.00	28,19	1
		F 16005 21 *	160.0	110.0	3.20	135.00	28,19	1C
		F 16513 10 *	165.0	116.0	3.20	140.00	25,51	1
		F 18010 16 *	180.0	124.0	3.50	152.40	39,44	2
		F 18011 15 *	180.0	127.0	3.20	152.00	26,39	1
		F 18102 11 *	181.0	124.0	3.50	152.40	39,44	2
		F 18126 12 *	181.0	131.0	3.20	156.00	40,38	1
		F 20034 12 *	200.0	142.0	3.20	172.00	44,52	1
		F 21510 15 *	215.0	145.0	3.20	179.90	33,00	1C
		F 21510 13 *	215.0	145.0	3.20	180.00	32,80	1
		F 21578 10 *	215.0	147.0	2.80	180.30	32,80	1
		F 21523 10 *	215.0	147.0	3.35	180.30	32,80	1

<b>&gt; 6 Avellanados / 6 Pasantes</b>		<b>Referencia</b>	<b>Ø Ext</b>	<b>Ø Int</b>	<b>Espesor</b>	<b>C1</b>	<b>C2</b>	<b>Detalle</b>
		F 21500 12 *	215.0	145.0	3.00	50,67	59,33	1
		F 21510 12 *	215.0	145.0	3.20	50,67	59,33	1
		F 21626 10 *	216.0	145.0	3.00	50,67	59,33	1
		F 21615 10 *	216.0	145.0	3.20	50,67	59,33	1
		F 21624 10 *	216.0	145.0	3.85	50,67	59,33	1

<b>&gt; 8 Avellanados / 8 Pasantes</b>		<b>Referencia</b>	<b>Ø Ext</b>	<b>Ø Int</b>	<b>Espesor</b>	<b>Ø A</b>	<b>C</b>	<b>Detalle</b>
		F 16001 16 *	160.0	110.0	3.00	134.00	23,27	1C
		F 16026 11 *	160.0	110.0	3.25	134.00	23,27	1
		F 16026 10 *	160.0	110.0	3.25	135.00	17,99	1
		F 18175 10 *	180.0	125.0	3.05	152.00	23,78	2
		F 18004 20 *	180.0	125.0	3.50	152.00	23,78	2
		F 18004 22 *	180.0	125.0	3.50	152.00	23,78	2C
		F 18004 17 *	180.0	125.0	3.50	151.90	24,00	1
		F 18004 11 *	180.0	125.0	3.50	152.45	23,76	1
		F 18078 10 *	180.0	133.0	3.10	160.95	23,97	1
		F 18013 10 *	180.0	133.0	3.20	158.90	23,77	1
		F 18067 10 *	180.0	135.0	3.10	160.00	25,40	2
		F 18103 14 *	181.0	127.0	3.20	152.20	20,20	1
		F 18115 11 *	181.0	127.0	3.50	152.20	20,20	1
		F 18401 10 *	184.0	127.0	3.50	152.00	20,00	1
		F 19001 15 *	190.0	130.0	3.50	160.00	23,99	2
		F 19036 13 *	190.0	132.0	3.50	162.00	25,40	1
		F 19027 11 *	190.0	134.0	3.20	161.01	24,09	1
		F 19006 11 *	190.0	134.0	3.50	161.01	24,09	1C
		F 19006 12 *	190.0	134.0	3.50	161.01	24,09	1
		F 19006 18 *	190.0	134.0	3.50	161.01	24,09	2
		F 19039 10 *	190.0	135.0	3.20	161.01	24,09	1

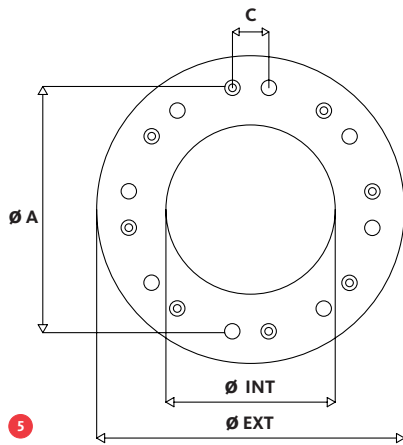
> Ver siguiente pagina / See next page

> 8 Avellanados / 8 Pasantes



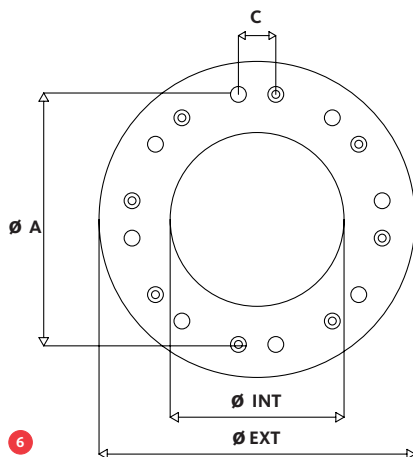
Referencia	Ø Ext	Ø Int	Espesor	Ø A	C	Detalle
F 19039 12 *	190.0	135.0	3.20	161.01	24,09	1C
F 19031 10 *	190.0	135.0	3.25	160.00	25,40	2
F 19004 10 *	190.0	136.0	3.20	158.80	23,80	1C
F 19004 19 *	190.0	136.0	3.20	158.80	23,80	1
F 20011 10 *	200.0	130.0	3.30	168.00	28,18	2
F 20008 12 *	200.0	130.0	3.50	170.00	25,41	2
F 20008 22 *	200.0	130.0	3.50	165.00	25,40	1
F 20008 20 *	200.0	130.0	3.50	167.00	25,40	1C
F 20006 11 *	200.0	134.0	3.50	170.00	25,41	1
F 20006 12 *	200.0	134.0	3.50	170.00	25,41	2
F 20002 11 *	200.0	137.0	3.50	170.00	25,41	2
F 20010 15 *	200.0	140.0	3.50	170.00	25,86	1C
F 20010 22 *	200.0	140.0	3.50	170.00	25,86	1
F 20044 10 *	200.0	143.0	3.50	170.30	26,60	2
F 20301 11 *	203.0	131.0	3.50	173.40	25,39	1
F 20401 12 *	204.0	131.0	3.50	169.90	25,39	2
F 21017 11 *	210.0	134.0	3.50	174.00	28,72	2
F 21001 12 *	210.0	145.0	3.50	183.80	25,41	2
F 21064 10 *	210.0	156.0	3.30	183.80	25,41	2
F 21020 10 *	210.0	160.0	3.30	186.00	22,67	1
F 21203 11 *	212.0	140.0	3.50	176.00	28,20	1
F 21530 10 *	215.0	140.0	3.60	183.20	25,40	1
F 21501 13 *	215.0	145.0	3.50	183.80	25,41	2
F 21507 12 *	215.0	145.0	3.80	179.72	25,01	2
F 21531 11 *	215.0	146.0	3.80	188.00	27,30	2
F 21521 15 *	215.0	150.0	3.50	183.00	25,39	1
F 21528 10 *	215.0	152.0	3.25	184.00	25,40	2
F 21519 15 *	215.0	152.0	3.85	184.00	25,40	2C
F 21519 14 *	215.0	152.0	3.85	181.00	25,39	1C
F 21639 10 *	216.0	144.0	3.50	183.80	25,41	2
F 21639 11 *	216.0	144.0	3.50	178.00	25,40	2C
F 21640 11 *	216.0	144.0	3.70	179.72	25,01	2
F 21641 12 *	216.0	144.0	3.90	179.72	25,01	2
F 21629 10 *	216.0	145.0	3.25	183.80	25,41	2
F 21628 10 *	216.0	145.0	3.30	183.80	25,41	2
F 21628 11 *	216.0	145.0	3.30	178.25	25,50	2
F 21673 10 *	216.0	145.0	3.40	182.00	33,17	1
F 21623 10 *	216.0	145.0	4.10	183.80	25,41	2
F 21648 10 *	216.0	153.0	3.30	181.10	25,50	1
F 21602 11 *	216.0	153.0	3.80	184.00	25,40	2
F 22000 11 *	220.0	155.0	3.20	183.80	25,41	2C
F 22006 11 *	220.0	155.0	3.25	183.80	25,41	2
F 22512 10 *	225.0	150.0	3.10	189.50	28,83	2
F 22505 16 *	225.0	150.0	3.50	187.38	30,99	2
F 22505 17 *	225.0	150.0	3.50	188.00	25,40	1
F 22505 20 *	225.0	150.0	3.50	188.00	25,21	1C
F 22814 10 *	228.0	150.0	3.30	195.60	25,70	2
F 22814 11 *	228.0	150.0	3.30	193.40	25,39	2
F 22809 11 *	228.0	150.0	3.50	195.60	25,70	2
F 22809 13 *	228.0	150.0	3.50	187.80	27,00	2

► 8 Avellanados / 8 Pasantes



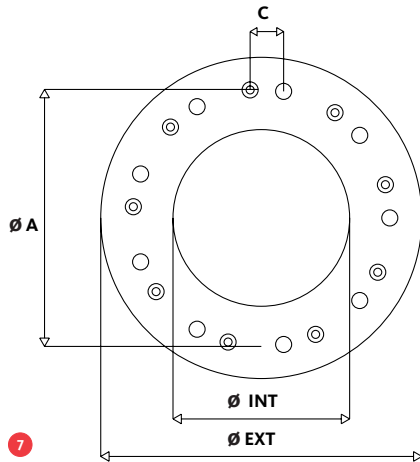
Referencia	Ø Ext	Ø Int	Espesor	Ø A	C	Detalle
F 22811 10 *	228.0	150.0	3.60	189.75	28,90	2
F 22834 10 *	228.0	150.0	3.70	195.60	25,70	2
F 22808 15 *	228.0	150.0	3.80	187.80	27,00	2
F 22808 21 *	228.0	150.0	3.80	195.70	25,41	2C
F 22802 13 *	228.0	150.0	3.90	187.80	27,00	2
F 22802 12 *	228.0	150.0	3.90	189.75	28,90	2
F 22802 11 *	228.0	150.0	3.90	195.60	25,70	2
F 22803 11 *	228.0	150.0	4.30	195.60	25,70	2
F 22801 12 *	228.0	155.0	3.20	196.20	27,00	1
F 22836 11 *	228.0	155.0	3.30	195.60	25,70	2
F 22962 10 *	228.0	155.0	3.90	198.20	27,21	2
F 22842 10 *	228.0	156.0	3.50	195.80	25,40	2
F 22893 10 *	228.0	170.0	3.30	196.00	25,40	2
F 23209 10 *	232.0	155.0	3.80	193.75	28,60	2
F 23602 10 *	236.0	150.0	3.60	191.90	31,99	1
F 24004 10 *	240.0	155.0	3.20	198.00	29,27	2
F 24014 10 *	240.0	155.0	3.60	198.10	31,37	2
F 24006 10 *	240.0	155.0	3.90	198.52	27,30	2
F 24090 10 *	240.0	156.0	3.30	198.00	31,21	2
F 24013 10 *	240.0	156.0	3.60	198.52	27,30	2
F 24054 10 *	240.0	160.0	3.15	200.00	25,55	2
F 24216 10 *	242.0	155.0	3.20	198.00	29,27	2C
F 24207 10 *	242.0	155.0	3.40	199.00	27,51	2
F 24208 10 *	242.0	155.5	3.20	198.00	29,27	2
F 24208 11 *	242.0	155.5	3.20	200.15	25,40	2
F 24206 14 *	242.0	162.0	3.80	200.00	27,02	1C
F 25067 10 *	250.0	165.0	3.90	217.50	38,80	2

► 8 Avellanados / 8 Pasantes



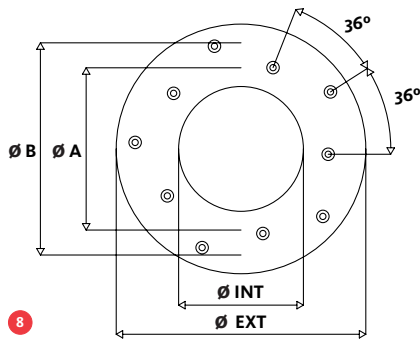
Referencia	Ø Ext	Ø Int	Espesor	Ø A	C	Detalle
F 18012 11 *	180.0	124.0	3.80	152.00	24,00	2
F 18001 10 *	180.0	125.0	3.30	152.00	24,00	2
F 18008 12 *	180.0	125.0	3.80	152.00	24,00	2
F 19006 10 *	190.0	134.0	3.50	161.01	24,09	1
F 20021 10 *	200.0	140.0	3.30	170.18	26,04	1C
F 20010 16 *	200.0	140.0	3.50	170.05	25,28	1
F 22505 37 *	225.0	150.0	3.50	189.20	25,40	1

> 9 Avellanados / 9 Pasantes



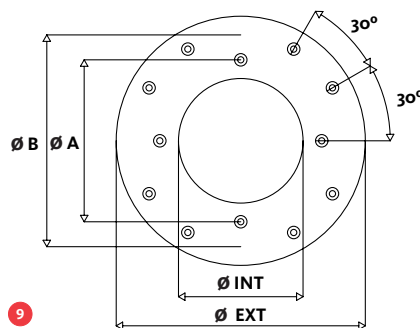
Referencia	Ø Ext	Ø Int	Espesor	Ø A	C	Detalle
F 18400 11 *	184.0	127.0	3.20	152.40	20,38	1C
F 18403 10 *	184.0	127.0	3.30	152.40	20,38	1C
F 18403 12 *	184.0	127.0	3.30	152.40	20,38	1
F 19047 10 *	190.0	136.0	3.60	167.64	20,24	1
F 20039 11 *	200.0	136.0	3.40	167.60	20,32	1
F 21521 14 *	215.0	150.0	3.50	183.00	25,41	1
F 22505 15 *	225.0	150.0	3.50	188.00	24,99	1
F 24017 10 *	240.0	150.0	3.50	195.50	27,21	1

> 10 Avellanados



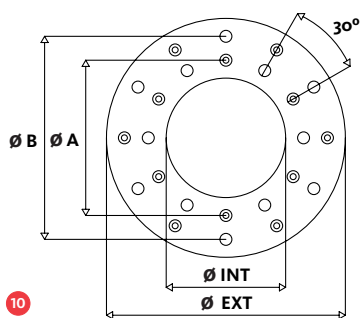
Referencia	Ø Ext	Ø Int	Espesor	Ø A	Ø B	Detalle
F 15206 12 *	152.0	80.0	4.50	105.00	127.00	2
F 15210 11 *	152.0	80.0	4.70	105.00	127.00	2
F 15200 10 *	152.0	80.0	5.00	105.00	127.00	2

> 12 Avellanados



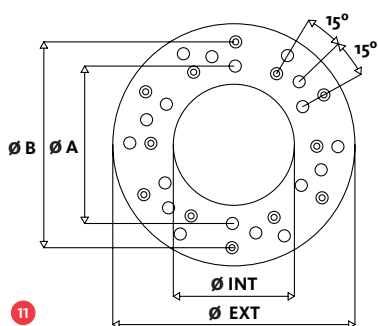
Referencia	Ø Ext	Ø Int	Espesor	Ø A	Ø B	Detalle
F 12704 11 *	127.0	70.0	4.50	90.00	108.00	2
F 12705 12 *	127.0	70.0	4.70	90.00	108.00	2
F 14211 10 *	142.0	85.0	4.50	105.25	124.00	2
F 14205 10 *	142.0	85.0	4.70	105.25	124.00	2
F 14201 10 *	142.0	85.0	4.80	105.25	124.00	2
F 15206 13 *	152.0	80.0	4.50	105.00	127.00	2
F 15210 12 *	152.0	80.0	4.70	105.00	127.00	2
F 15203 10 *	152.0	80.0	4.80	105.00	127.00	2
F 15200 11 *	152.0	80.0	5.00	105.00	127.00	2
F 16508 11 *	165.0	89.0	4.50	114.50	140.00	2C
F 16508 12 *	165.0	89.0	4.50	114.50	140.00	2C
F 16508 13 *	165.0	89.0	4.50	114.50	140.00	2
F 16507 10 *	165.0	89.0	4.70	114.50	140.00	2
F 16507 11 *	165.0	89.0	4.70	114.50	140.00	2C
F 16507 13 *	165.0	89.0	4.70	114.50	140.00	2
F 16503 10 *	165.0	89.0	4.80	114.50	140.00	2C
F 16503 11 *	165.0	89.0	4.80	114.50	140.00	2
F 16500 11 *	165.0	89.0	5.00	114.50	140.00	2

> 12 Avellanados / 12 pasantes



Referencia	Ø Ext	Ø Int	Espesor	Ø A	Ø B	Detalle
F 25000 11 *	250.0	155.0	3.20	180.97	225.40	1C
F 27605 10 *	276.0	172.0	3.30	196.85	247.65	1
F 27605 11 *	276.0	172.0	3.30	196.85	247.65	1C

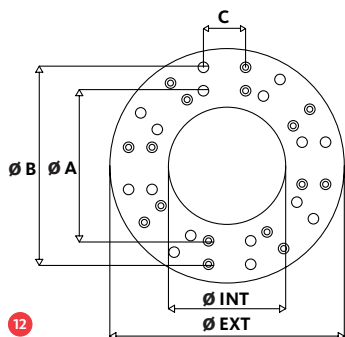
> 12 Avellanados / 18 pasantes



Referencia	Ø Ext	Ø Int	Espesor	Ø A	Ø B	Detalle
F 25001 13 *	250.0	155.0	3.50	184.00	226.00	2
F 25052 10 *	250.0	165.0	3.50	184.00	226.00	2
F 25004 11 *	250.0	165.0	3.50	184.00	226.00	2C

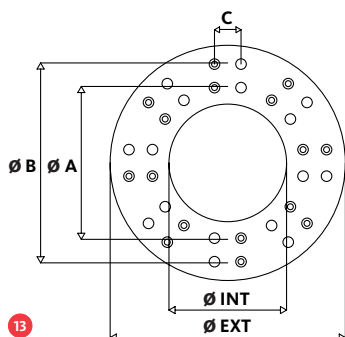
14

> 16 Avellanados / 16 Pasantes



Referencia	Ø Ext	Ø Int	Espesor	Ø A	Ø B	C	Detalle
F 24006 11 *	240.0	155.0	3.90	182.60	221.40	50,35	2
F 31027 10 *	310.0	200.0	3.70	230.00	280.00	31,70	2
F 31025 11 *	310.0	200.0	3.80	230.00	280.00	60,96	2
F 31024 10 *	310.0	200.0	4.30	230.00	280.00	60,96	2

> 16 Avellanados / 16 Pasantes



Referencia	Ø Ext	Ø Int	Espesor	Ø A	Ø B	C	Detalle
F 21654 11 *	216.0	136.0	3.50	152.10	192.70	25,40	1C
F 24010 11 *	240.0	160.0	3.50	182.30	218.40	26,99	1
F 25035 10 *	250.0	160.0	3.50	182.30	218.40	26,99	1
F 28027 10 *	280.0	172.0	4.00	200.00	247.60	34,90	1C
F 32508 11 *	325.0	200.0	3.50	225.42	298.45	40,00	1C
F 32500 14 *	325.0	210.0	4.00	230.91	293.90	34,79	1

> 18 Avellanados	Referencia	Ø Ext	Ø Int	Espesor	Ø A	Ø B	Detalle
	F 17802 10 *	178.0	101.0	4.50	120.65	158.75	2
	F 17802 11 *	178.0	101.0	4.50	120.65	158.75	2C
	F 17803 10 *	178.0	101.0	4.70	120.65	158.75	2C
	F 17803 11 *	178.0	101.0	4.70	120.65	158.75	2
	F 17800 11 *	178.0	101.0	4.80	120.65	158.75	2
	F 17805 10 *	178.0	101.0	5.00	120.65	158.75	2
	F 20081 10 *	200.0	127.0	4.70	146.00	181.00	2
	F 28003 11 *	280.0	165.0	3.50	197.00	247.50	2
	F 32701 15 *	327.0	190.0	4.00	226.00	288.50	2C
	F 32701 16 *	327.0	190.0	4.00	226.00	288.50	2C

14

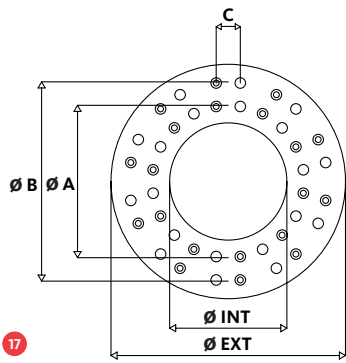
> 18 Avellanados / 18 Pasantes	Referencia	Ø Ext	Ø Int	Espesor	Ø A	Ø B	α	Detalle
	F 31014 10 *	310.0	190.0	3.70	218.00	270.00	17.50	2C
	F 35003 11 *	350.0	195.0	4.00	245.00	325.00	18.00	2C
	F 43005 10 *	430.0	242.0	4.50	276.66	386.66	17.70	2

15

> 18 Avellanados / 18 Pasantes	Referencia	Ø Ext	Ø Int	Espesor	Ø A	Ø B	C	Detalle
	F 23203 11 *	232.0	155.0	3.60	174.19	214.71	25.40	1C
	F 23208 10 *	232.0	156.0	3.80	174.25	214.85	25.39	1C
	F 24129 11 *	241.0	160.0	3.60	182.50	218.60	27.13	1
	F 24102 13 *	241.0	162.0	3.80	182.88	223.52	25.40	1C
	F 24209 10 *	242.0	156.0	3.80	174.19	214.71	25.40	1
	F 24206 13 *	242.0	162.0	3.80	182.88	223.52	25.40	1C
	F 26000 11 *	260.0	170.0	3.50	197.00	235.00	26.99	1C
	F 27502 10 *	275.0	180.0	3.50	204.00	250.00	34.00	1
	F 27611 10 *	276.0	173.0	3.50	200.86	245.96	34.02	1
	F 30202 13 *	302.0	190.0	4.00	217.42	271.40	33.97	1
	F 32500 15 *	325.0	210.0	4.00	235.06	295.12	36.41	1
	F 35303 10 *	353.0	216.0	5.00	255.00	314.00	36.99	1
	F 41006 10 *	410.0	250.0	5.00	289.87	369.86	44.00	2C
	F 43006 11 *	430.0	250.0	5.00	300.20	390.20	44.01	2C

16

**> 20 Avellanados / 20 Pasantes**

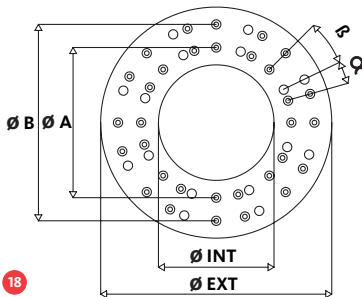


17

Referencia	Ø Ext	Ø Int	Espesor	Ø A	Ø B	C	Detalle
F 25036 11 *	250.0	171.0	3.60	193.40	234.30	25,41	1C
F 27904 10 *	279.0	172.0	3.65	193.90	250.70	25,20	1C
F 28000 10 *	280.0	172.0	3.50	193.90	250.70	25,20	1C
F 28027 11 *	280.0	172.0	4.00	193.90	250.70	25,20	1C
F 30202 11 *	302.0	190.0	4.00	218.40	278.60	27,79	1C
F 30202 12 *	302.0	190.0	4.00	218.40	278.60	27,79	1C
F 30216 11 *	302.0	190.0	4.50	218.40	278.60	27,79	1C
F 30237 10 *	302.0	191.0	3.70	218.40	278.60	27,79	1C
F 30236 11 *	302.0	197.0	4.00	217.50	279.50	31,64	1
F 30233 11 *	302.0	197.0	4.10	217.50	279.50	31,64	1C
F 31023 11 *	310.0	175.0	4.30	215.10	280.20	38,00	2
F 31005 11 *	310.0	175.0	4.40	215.10	280.20	38,00	2
F 31003 10 *	310.0	190.0	3.50	218.00	278.00	27,42	1
F 31003 11 *	310.0	190.0	3.50	218.00	278.00	27,42	1C
F 31013 12 *	310.0	190.0	4.00	218.00	278.00	27,42	1
F 32508 12 *	325.0	200.0	3.50	225.30	298.30	31,72	1C
F 32501 11 *	325.0	200.0	4.00	225.30	298.30	31,72	1C
F 32511 10 *	325.0	200.0	4.20	225.30	298.30	31,72	1C
F 32703 12 *	327.0	200.0	3.50	225.30	298.30	31,72	1C
F 32723 10 *	327.0	200.0	3.60	225.30	298.30	31,72	1C
F 32704 12 *	327.0	200.0	4.00	225.30	298.30	31,72	1C
F 33014 10 *	330.0	195.0	3.70	235.10	300.41	37,99	2C

16

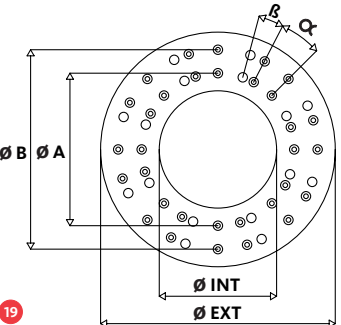
**> 24 Avellanados / 12 Pasantes**



18

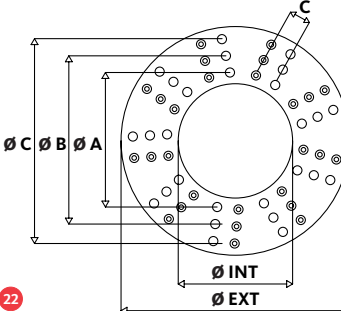
Referencia	Ø Ext	Ø Int	Espesor	Ø A	Ø B	β	ρ	Detalle
F 28003 10 *	280.0	165.0	3.50	192.00	247.50	12.00	18.00	2C
F 28003 13 *	280.0	165.0	3.50	192.00	247.50	12.00	18.00	2
F 28041 10 *	280.0	175.0	3.50	200.00	247.50	12.00	18.00	2
F 29501 10 *	295.0	170.0	3.50	202.00	262.00	12.00	18.00	2
F 31000 11 *	310.0	175.0	3.50	218.00	270.00	12.00	18.00	2C
F 33013 10 *	330.0	184.0	3.50	216.00	295.00	11.00	26.00	2
F 33001 10 *	330.0	186.0	3.50	216.00	295.00	11.50	25.50	2
F 35304 10 *	353.0	216.0	5.50	255.00	314.00	8.00	22.00	1



> 32 Avellanados / 16 Pasantes	Referencia	Ø Ext	Ø Int	Espesor	Ø A	ØB	α	β	Detalle
	F 35000 10 *	350.0	195.0	3.50	230.00	300.00	17.00	9.00	2
	F 35000 11 *	350.0	195.0	3.50	230.00	300.00	17.00	9.00	2
	F 35000 12 *	350.0	195.0	3.50	230.00	300.00	17.00	9.00	2C
	F 35000 15 *	350.0	195.0	3.50	230.00	300.00	17.00	9.00	3
	F 38000 10 *	380.0	200.0	3.50	240.00	330.00	17.00	9.00	2
	F 38000 13 *	380.0	200.0	3.50	240.00	330.00	17.00	9.00	3
	F 38000 14 *	380.0	200.0	3.50	240.00	330.00	17.00	9.00	2C
	F 38029 12 *	380.0	220.0	3.50	260.00	340.00	17.00	8.50	2
	F 38005 10 *	380.0	250.0	3.50	280.00	350.00	17.00	9.00	2
	F 38005 11 *	380.0	250.0	3.50	280.00	350.00	17.00	9.00	2
	F 40000 15 *	400.0	220.0	3.50	260.00	350.00	17.00	9.00	2
	F 40000 10 *	400.0	220.0	3.50	260.00	350.00	17.00	9.00	2C

> 36 Avellanados	Referencia	Ø Ext	Ø Int	Espesor	Ø A	ØB	α	Detalle
	F 40503 10 *	405.0	235.0	4.40	260.00	370.00	18.50	2C
	F 42001 14 *	420.0	220.0	4.00	260.00	370.00	20.00	2
	F 42001 11 *	420.0	220.0	4.00	260.00	370.00	15.00	3
	F 43004 11 *	430.0	240.0	4.00	276.80	386.80	17.65	2
	F 43004 14 *	430.0	240.0	4.00	276.66	386.66	17.70	2
	F 43004 13 *	430.0	240.0	4.00	280.00	380.00	15.00	3
	F 43016 10 *	430.0	242.0	4.30	276.80	386.80	17.65	2C

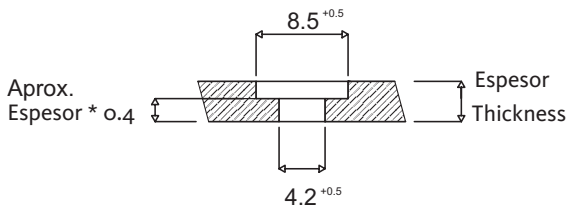
> 36 Avellanados / 18 Pasantes	Referencia	Ø Ext	Ø Int	Espesor	Ø A	ØB	α	β	Detalle
	F 42000 10 *	420.0	220.0	3.50	260.00	370.00	15.00	7.50	3
	F 42019 10 *	420.0	220.0	4.70	260.00	370.00	15.00	7.50	3
	F 42003 11 *	420.0	240.0	3.50	280.00	380.00	15.00	7.50	3
	F 43020 12 *	430.0	240.0	3.50	270.00	380.00	15.00	8.00	3
	F 43020 10 *	430.0	240.0	3.50	280.00	380.00	15.00	7.50	3

> 27 Avellanados / 27 Pasantes	Referencia	Ø Ext	Ø Int	Espesor	Ø A	ØB	ØC	Cuerda	Detalle
	F 38019 10 *	380.0	206.0	5.10	235.97	286.66	337.41	36.82	2C

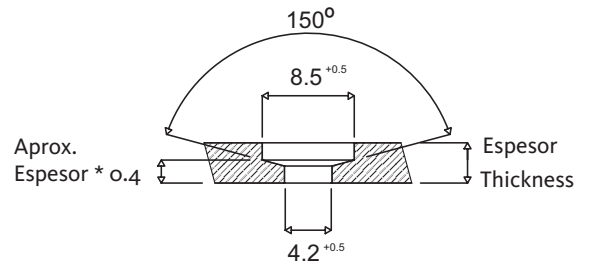
# DETALLE DETAIL

Material	Descripción / Description
1	G95
3	HDS57
4	SA92
8	G98
9	VHo3

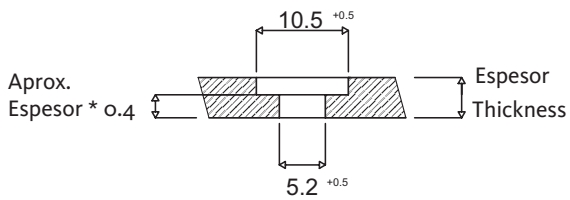
1



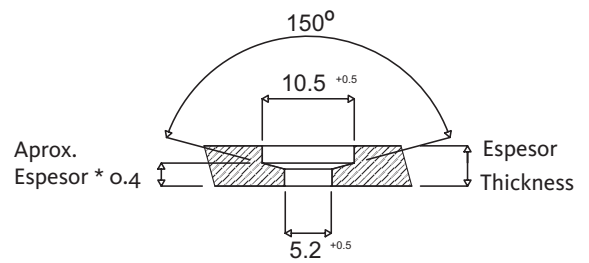
1C



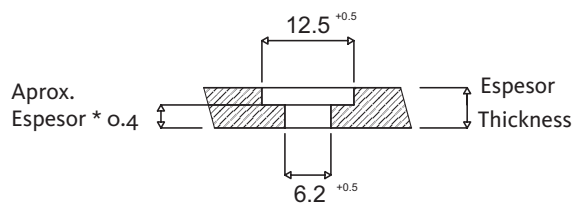
2



2C



3



3C

